

RU-2-20

Rotary union for 2 media

■ For double piston cylinder ZHVD-DFR for D-chucks



Application/customer benefits

- Rotary union for media supply for rotating cylinders.
- Universal for air + oil/air + coolant. Can also rotate dry (without medium applied).

Technical features

- Rotary union for 2 media. Port A for air, oil and coolant, Port B for air.
- **note:** The medium must be free of contamination
Filter 25 µm requested

Standard equipment

RU-2-20

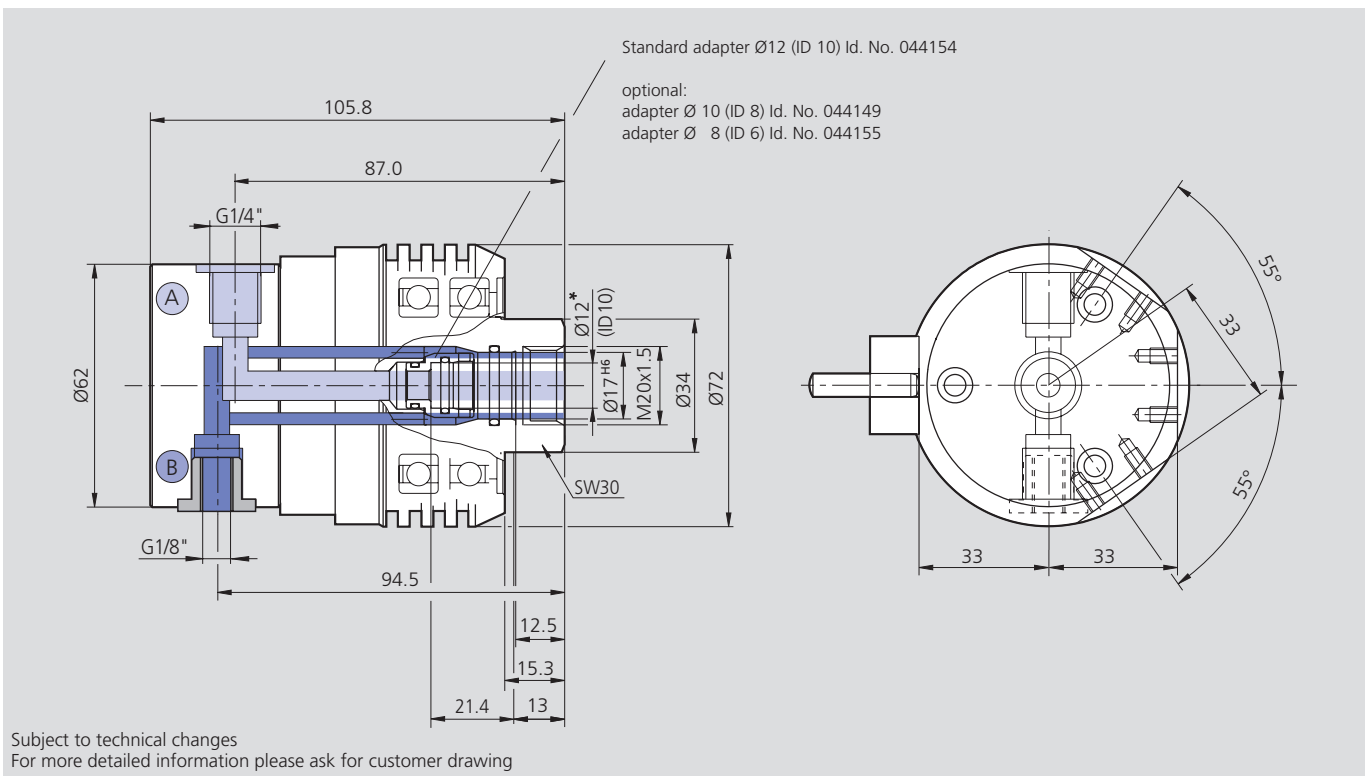
Anti rotation pinblok

Adapter for tube Ø 12 mm (ID = 10 mm) Id. No. 044154

Option

Adapter for tube Ø 10 mm (ID = 8 mm) Id. No. 044149

Adapter for tube Ø 8 mm (ID = 6 mm) Id. No. 044155



Technical data

SMW-AUTOBLOK Type	Id. No.	max. speed r.p.m.	max. pressure port A media: air, oil, coolant	max. pressure port B media: air only	Weight	Filter requested
RU-2-20	044972	4000	40 bar (580 psi)	10 bar (145 psi)	0.94 kg	25 µm